
INSTRUCTIONS FOR INSTALLING A BASE PLATE ASSEMBLY

CHECK THE PARTS RECEIVED IN THE ACCESSORY WITH THE PARTS LIST IN THESE INSTRUCTIONS. IF ANY PARTS ARE MISSING, CONTACT THE NATIONAL VENDORS PARTS DEPARTMENT IMMEDIATELY.

If the instructions in your setup manual are different from these instructions, ignore the instructions in the setup manual.

Read these instructions carefully before beginning work..

Keep these instructions for part numbers and for future reference.

These accessories contain the following:

ACCESSORY NUMBER	INSTRUCTION	LOOSE PARTS BAG ASSEMBLY	BASE PLATE ASSEMBLY
-------------------------	--------------------	---------------------------------	----------------------------

STANDARD STYLING

1571085	4551161	1571087	2271408
1581022	4551161	1571087	1581023
3631104	4551161	3631105	3631106
4251218	4551161	4250037	4251205
4311194	4551161	4311191	2271408
4851035	4551161	1571087	4111091
3281046	4551161	1571087	3631106
4551159	4551161	4551160	4551149

MILLENNIA STYLING

1571159	4551161	1571087	1571161
1581049	4551161	1571087	1581050
3631099	4551161	3631100	3631101
4311190	4551161	4311191	1571161
4851084	4551161	1571087	4851082
4281048	4551161	4250037	4281044
3281047	4551161	1571087	3631101
4551157	4551161	4551158	4551144

Parts Included in Bag Assemblies

PART NUMBER	DESCRIPTION	QUANTITY PER BAG ASSEMBLY						
		1571087	3631100	3631105	4250037	4311191	4551158	4551160
1411194	SLIDE - BASE PLATE - R.H.	1			1			
1411195	SLIDE - BASE PLATE - L.H.	1			1			
1451097	SCREW - #8-32X.31 HEX HD.TF - BLK.		4				4	4
3631103	BUMPER - BASE PLATE - 42" - MILLENNIA		2					
3631108	BUMPER - BASE PLATE			2				
4311071	BRACKET - BASEPLATE				2	2		
4551147	BUMPER - MILLENNIA CABINET LEG						1	
4551148	BUMPER - MILLENNIA LEG HINGE PLATE						1	
4551151	BUMPER - BASE PLATE							1
4551152	BUMPER - LEG HINGE PLATE							1
4551153	SLIDE - BASE PLATE - L.H.		1	1		1	1	1
4551154	SLIDE - BASE PLATE - R.H.		1	1		1	1	1
4551155	BRACKET - BASE PLATE R.H.						1	1
6231087	BRACKET - BASE PLATE	2	2	2			1	1
9900098	COTTER PIN 3/32 X 3/4 IN	2	2	2	2	2	2	2
9900166	SCREW #8-32 X 5/16 THS S/T			4				

Part I. Installing a base plate accessory assembly on all models except:

Food Service Cabinet, Foodcenter, Shoppertron

These instructions cover both standard and Millennia styling. Refer to the appropriate figure while completing the following procedure:

WARNING

DO NOT MOVE THE CABINET WHILE FASTENERS ARE LOOSENED. THE CABINET WOULD BECOME UNSTABLE AND LIKELY TO TIP AND CAUSE INJURY.

NOTE

For model 411, begin with step 4.

1. Remove the pail(s) from the inside of the merchandiser.
2. Remove the floor liner and filler plate (if present) from the inside of the merchandiser to gain access to the holes as shown.
3. From the left side of the merchandiser, remove the two caps as shown.
4. Loosen the left leg assembly bolts and nuts to allow mounting a base plate bracket.
5. Secure one of the base plate brackets to the leg assembly using the two bolts. Tighten the bolts and nuts.
6. Repeat steps 4 and 5 for the other side of the merchandiser.
7. **If included in your accessory, install the bumper as shown, using the 8-32 screws.**
8. Insert the short arms of the slides into the hinged tabs of the base plate. Position the slide so the notch near the short arm is on the bottom side.
9. Insert the long arms of the slides into the base plate brackets.
10. Insert and secure a cotter pin through the hole in the back of each of the slides.
11. Push the base plate toward the merchandiser cabinet. The front tabs of the base plate brackets should seat in the notches in the long arms of the slides.
12. Replace the parts you removed in steps 1 and 2.

Part II. Installing a base plate accessory assembly on Food Service Cabinet, Foodcenter, Shoppertron, Full Frozen, Models 839, 431, 425, 455

These instructions cover both standard and Millennia styling. Refer to the appropriate figure while completing the following procedure:

WARNING

DO NOT MOVE THE CABINET WHILE FASTENERS ARE LOOSENED. THE CABINET WOULD BECOME UNSTABLE AND LIKELY TO TIP AND CAUSE INJURY.

1. Loosen the inner pair of hex head screws from one of the front cabinet leg assemblies.
2. Secure one of the base plate brackets to the leg assembly. Tighten the hex head screws.
3. Repeat steps 1 and 2 for the other side of the merchandiser.
4. **If included in your accessory, install the bumper as shown, using the 8-32 screws.**
5. Insert the short arms of the slides into the hinged tabs of the base plate. Position the slide so the notch near the short arm is on the bottom side.
6. Insert the long arms of the slides into the base plate brackets.
7. Insert and secure a cotter pin through the hole in the back of each of the slides.
8. Push the base plate toward the merchandiser cabinet. The front tabs of the base plate brackets should seat in the notches in the long arms of the slides.

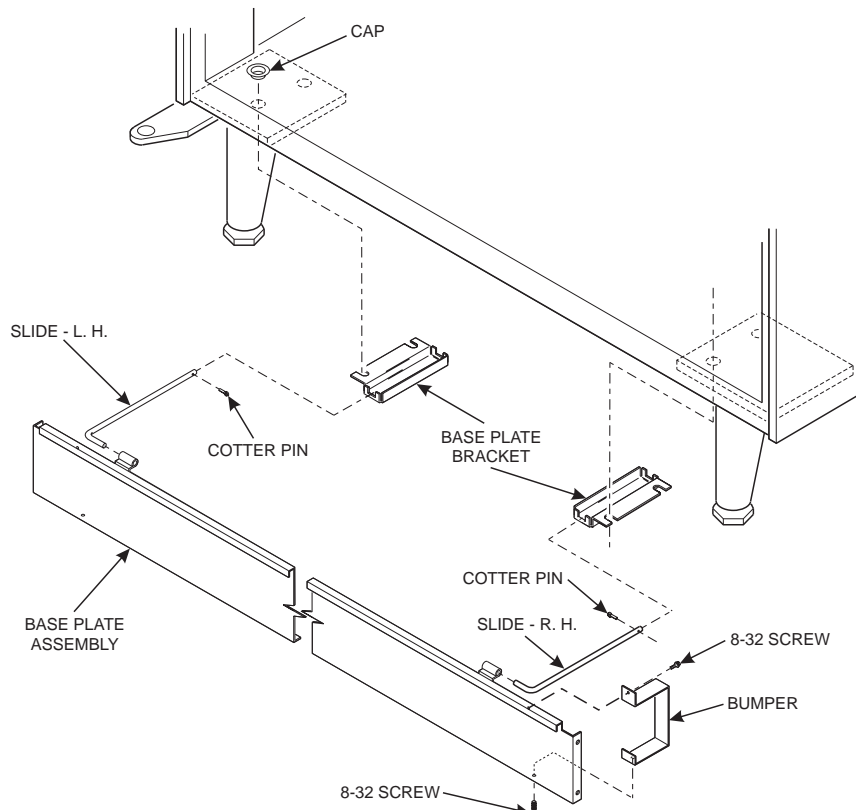


Figure 1. Standard Styling

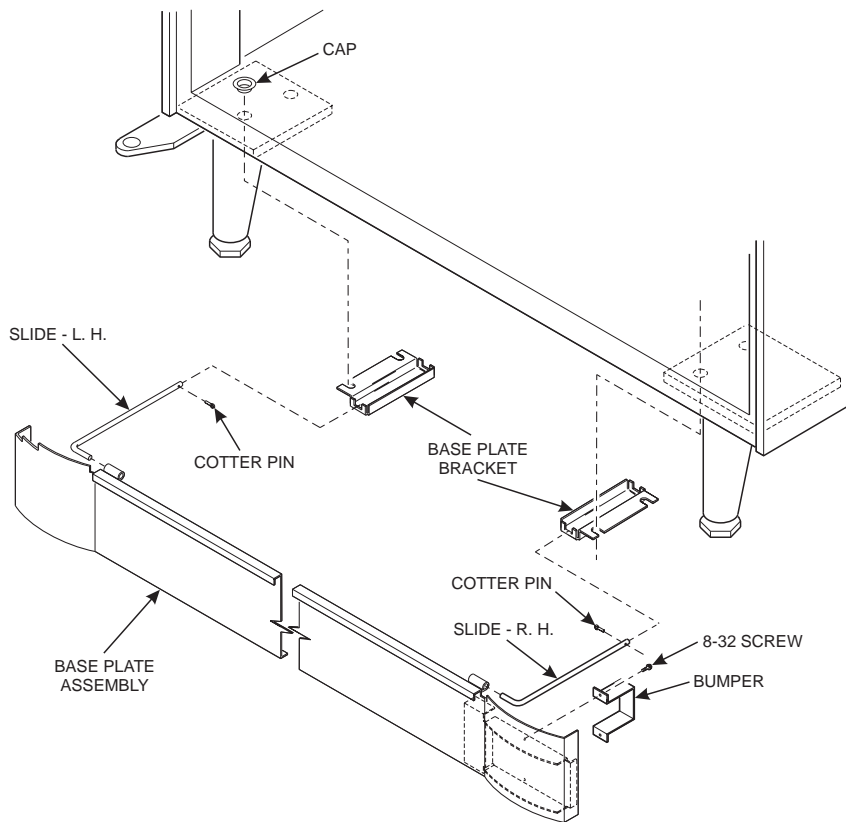


Figure 2. Millennia Styling